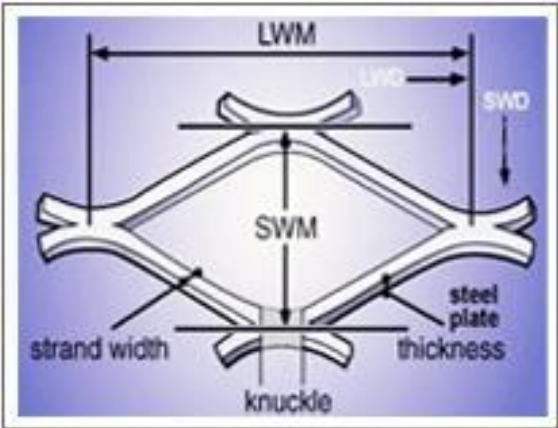
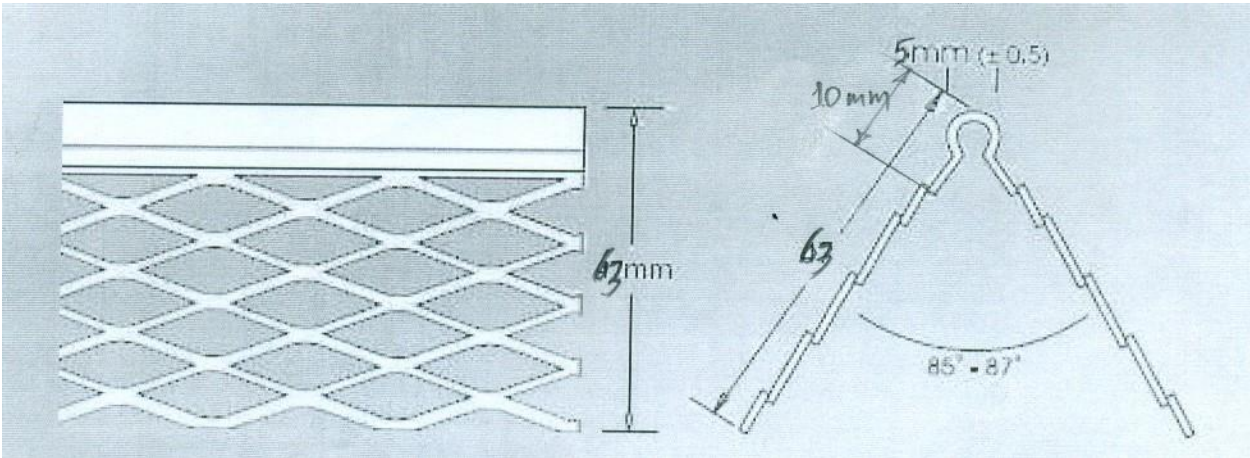
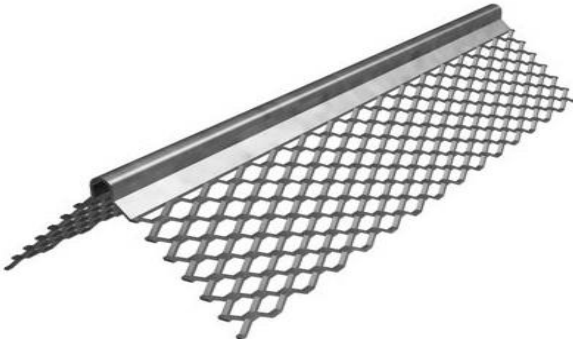


Galvanized Steel Corner Bead Dimensions



- LWM = 25 mm
- SWM = 12 mm
- Steel Plate Thickness = 0.2 mm
- Strand Width = 1.3 mm
- Knuckle = 2.40 mm